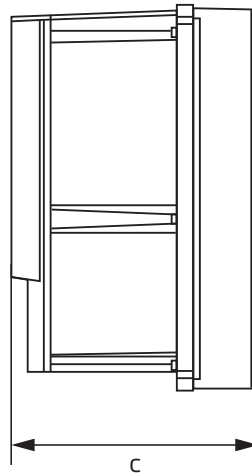
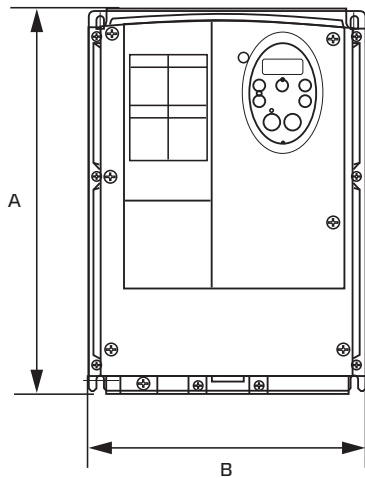


DATA SHEET

Frequency Converter FU IP 55

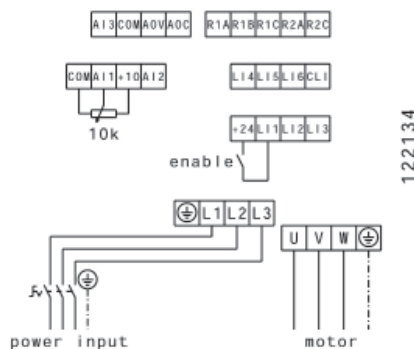


Type	ID	A mm	B mm	C mm	D mm	E mm	Weight kg
FU 22 03	118511	340	230	261	318	212	10,7
FU 30 04	121610	340	230	261	318	212	10,7
FU 40 04	121608	340	230	261	318	212	10,7

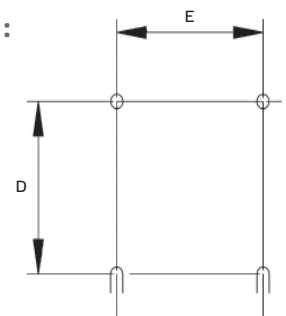
- Frequency Converter
- Power supply 400 V 3~ 50/60 Hz
- Variable speed control
- Output voltage 0 - 400 V 3~
- Integrated modbus interface
- Motor-/converter protection
- Integrated interference filter/class A
- Easy start-up
- Temperature range -10 °C ... +40 °C
- Protection Class IP 55

Typ	ID	P ₂ W	I _A A	P _V W	Schaltpläne	Verwendung für:
FU 22 03	118511	2200	5,5	79	122134	EL 400 D2 01 119677 EL 560 D4 01 119347 DVN 560 D4 121774 DVNI 560 D4 122294 DVN 710 D6 122470 DVNI 710 D6 122473 MPC 560 D4 122302 MPC 560 D4 TW 125312 MPS 400 D4 122558
FU 30 04	121610	3000	7,1	125	122134	EL 630 D4 01 117891
FU 40 04	121608	4000	9,5	150	122134	EL 710 D4 01 119356 DVN 630 D4 122758 DVNI 630 D4 122762 MPC 630 D4 123147 MPC 630 D4 TW 125314

Wiring diagram :



Mounting :



Legend

- P₂ = Max. motor power
- P_V = Efficiency loss FU
- I_A = Output current FU