

ruckview BMS for ruck Air handling units

Description:

ruckview control system replaces very costly and object-related BUS Systems for Air Handling Units. It is easy to manage and therefore the user is able to adjust, run and to administrate the units with a maximum of efficiency. With **ruckview** software you can monitor and control up to 30 ruck Air Handling Units by one computer. Furthermore the servicer is able to read all parameters and actual values which simplify the start-up procedure and the maintenance.

Within the scope of delivery you will find the ruck team viewer remote monitoring software which allows access to the air handling units via internet.



Scope of delivery ruckview software:

- **ruckview** software for ruck Air Handling Units with Mod-BUS RTU
- Connection box for MOD-BUS cable
- USB-data cable for connection box
- USB memory stick with installation files
- printed operating manual

Overview over Modbus communication system for ruck AHU:

Type	ID	Description
RUCKVIEW	130247	software set, incl. USB cable
		Accessories
USB Kabel 01	130248	connection PC to COM01 or COM02
COM 01	122872	MOD BUS communication box
COM 02 - OPTION	128549	MOD BUS extension module
SP 122498	122497	BUS data cable, length 25 m
SP 122491	122499	BUS data cable, length 30 m

Technical data:

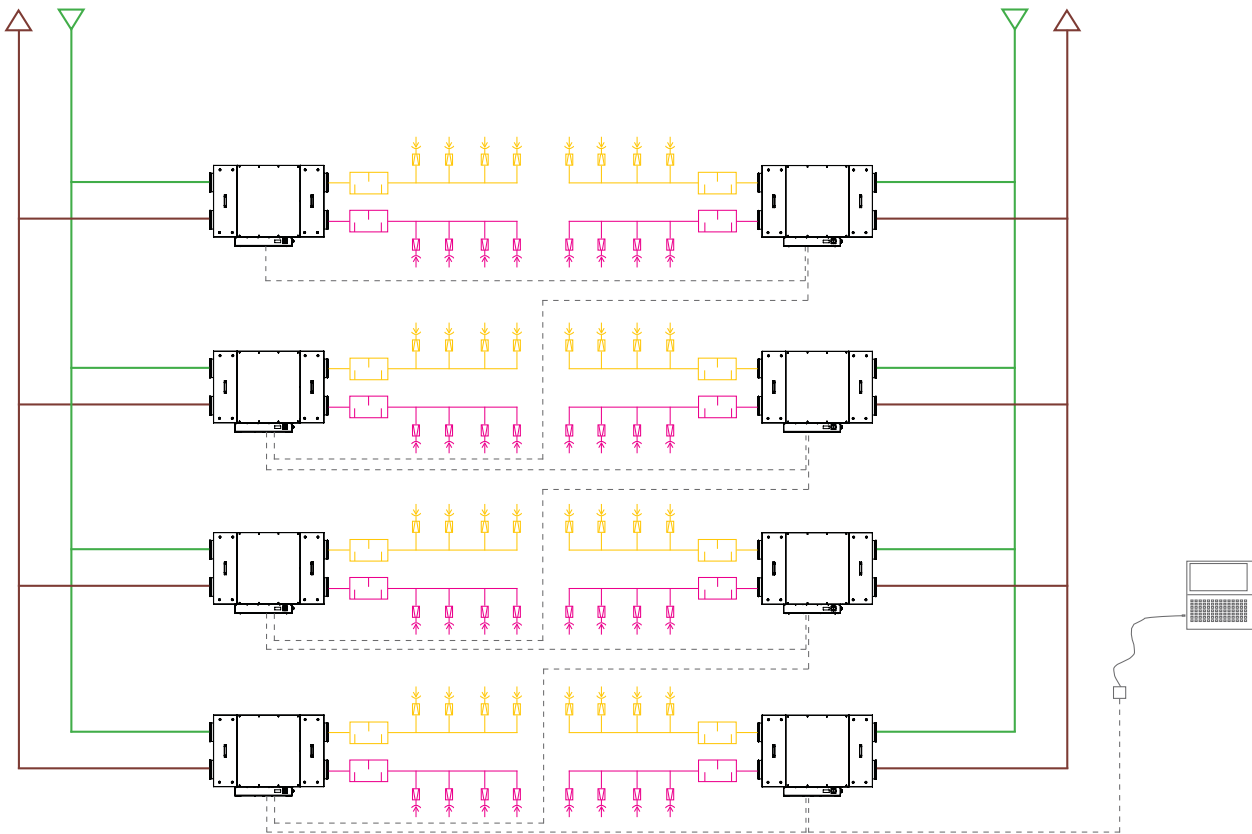
Requirements to hardware

- CPU: min. 1000MHz and min. 2GB RAM
- min. 10 GB free storage HDD
- 1 free USB 2.0 port

Requirements to software

- operating system Windows XP, Windows Vista, Windows7, Windows 8, Windows 10

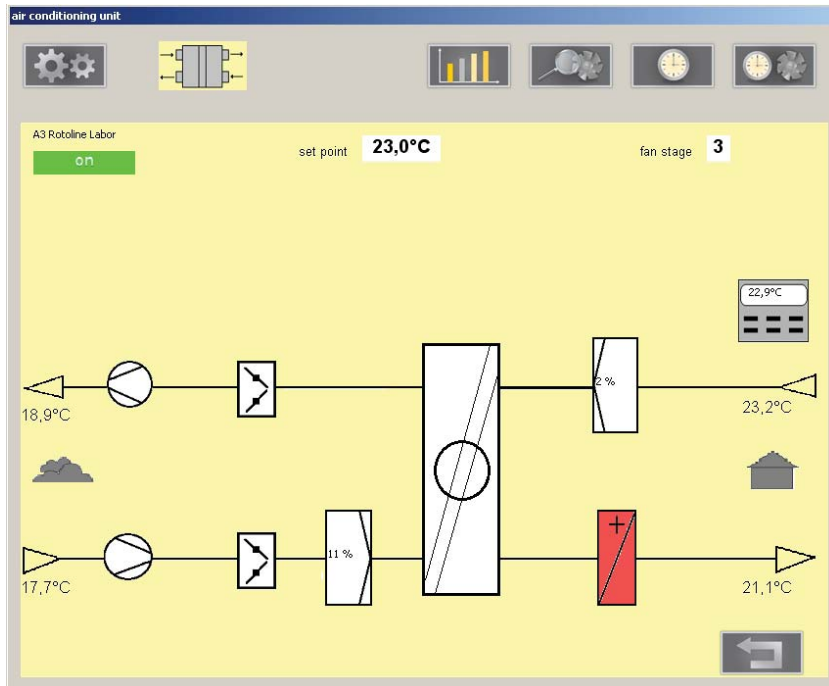
Example for 8 units:



Clear user interface with monitoring up to 30 units:



3/5
ruckview BMS for ruck Air handling units



Clear display of a single unit:

Every unit can be displayed individually

parameter	value	meaning
0	0	reserve
1	100	min set temp
2	280	max set temp
3	0	automatic start
4	10	heating and cooling
5	10	exhaust air temperature
6	10	integral value
7	-1	correction sensor
8	10	P-gain
9	250	max pressure drop filter 1
10	250	max pressure drop filter 2
11	0	
12	98	Δp at clean filter 1
13	25	Δp at clean filter 2
14	0	reserve
15	0	reserve
16	0	reserve
17	0	reserve
18	0	reserve
19	0	reserve
20	0	reserve
21	67	speed supply air step 1
22	87	speed supply air step 2
23	110	speed supply air step 3

Setting of unit parameters:

Display of real values and active unit functions



Data logging for efficiency analysis, maintenance and troubleshooting



ruckview BMS for ruck Air handling units

Example for delivery equipment:

8 pcs

ruck Air Handling Units using the example of accuflow
(part number 125999)

1 pc

ruckview software for ruck Air Handling Units with Modbus RTU
(part number 130247)

Connection box for Modbus cable
USB-data cable for connection box
remote monitoring software OEM Version
USB Stick, Operating manual

8 pcs

BUS data cable 30 m
(part number 122499)

8 pcs

COM 02 - **when using the accuflow units**
(part number 128549)
MOD-BUS extension module

8 pcs

COM 01 - **when using Slightline** see diagram single unit
(part number 122872)
MOD-BUS communication box

Scheme of single unit with COM 01 or COM 02:

