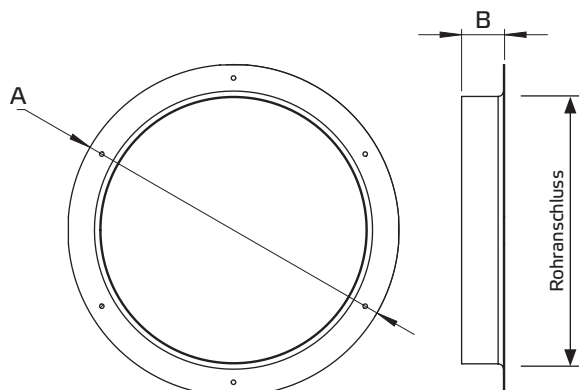


Inlet Spigot AS MPC



Type	ID	Round duct connection mm	A mm	B mm	Weight kg
AS MPC 250	140836	250	309	40	0,4
AS MPC 315	140844	315	374	40	0,5
AS MPC 355	140956	355	414	40	0,6
AS MPC 400	140847	400	459	40	0,7
AS MPC 450	140852	450	515	75	1,0
AS MPC 500	140871	500	560	75	1,1
AS MPC 560	140876	560	620	75	1,1
AS MPC 630	140880	630	690	75	1,4

- Inlet spigot for MPC / MPCT
- Sheet steel, galvanized

Type	ID	For models:
AS MPC 250	140836	MPC 225 - 280 T, MPC 225 - 280
AS MPC 315	140844	MPC 225 - 315 T, MPC 225 - 315
AS MPC 355	140956	MPC 225 - 315 T, MPC 225 - 400
AS MPC 400	140847	MPC 355 - 450 T, MPC 315 - 450
AS MPC 450	140852	MPC 355 - 500 T, MPC 315 - 500
AS MPC 500	140871	MPC 355 - 560 T, MPC 315 - 560
AS MPC 560	140876	MPC 560 - 630 T, MPC 560 - 630
AS MPC 630	140880	MPC 560 - 630 T, MPC 560 - 630