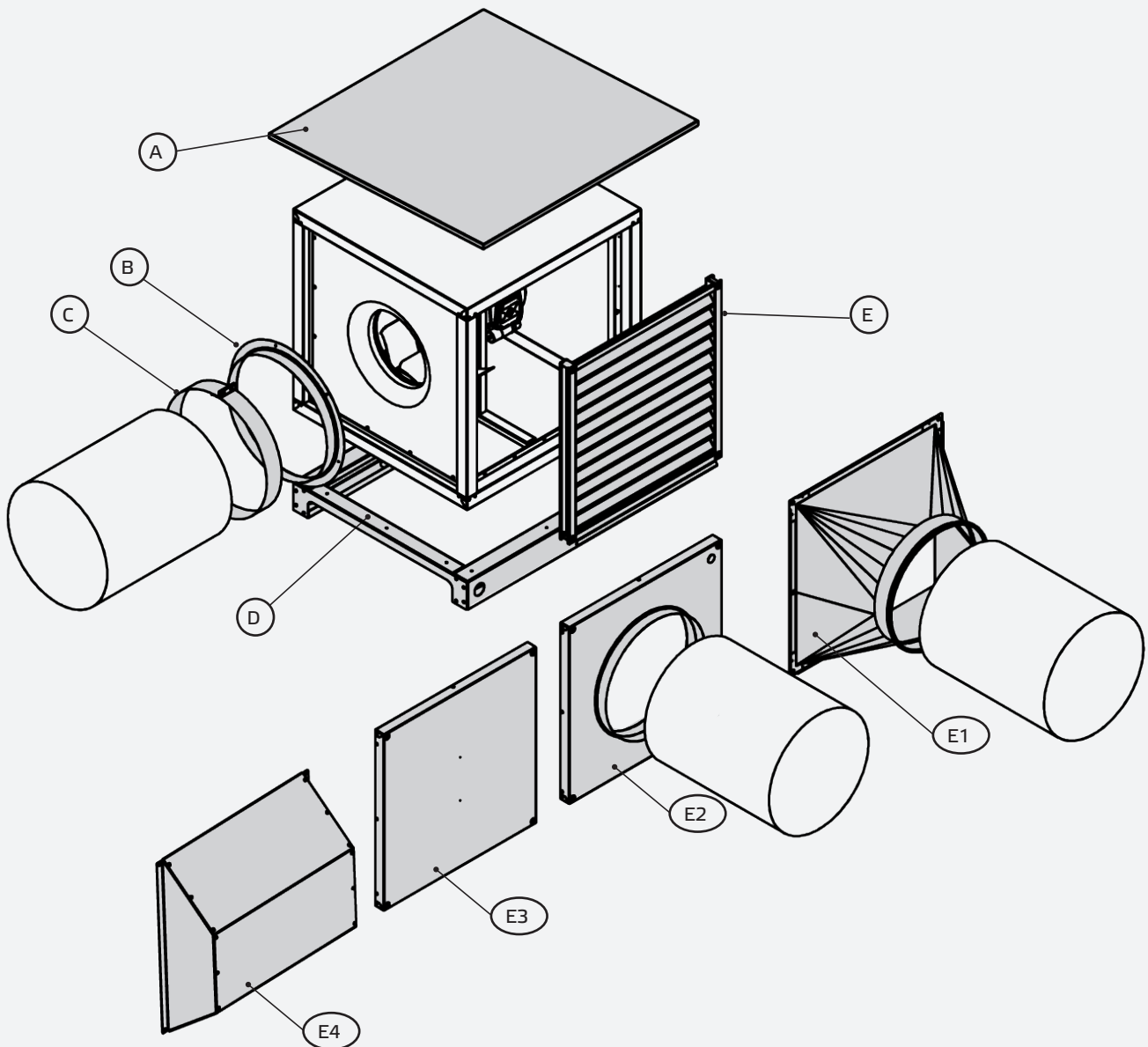


MOUNTING INSTRUCTIONS

MPC with specific accessories



- Ⓐ RD MPC
Rain cover
- Ⓑ AS MPC
Inlet spigot
- Ⓒ VM
Fast clamps
- Ⓓ GR MPC
Base frame
- Ⓔ WSG MPC
Weather protection grille

- ⒺⓁ UQR
Transition
- ⒺⓂ USM
Panel with spigot
- ⒺⓃ UCP
Closed panel
- ⒺⓄ WSH MPC
Weather protection hood