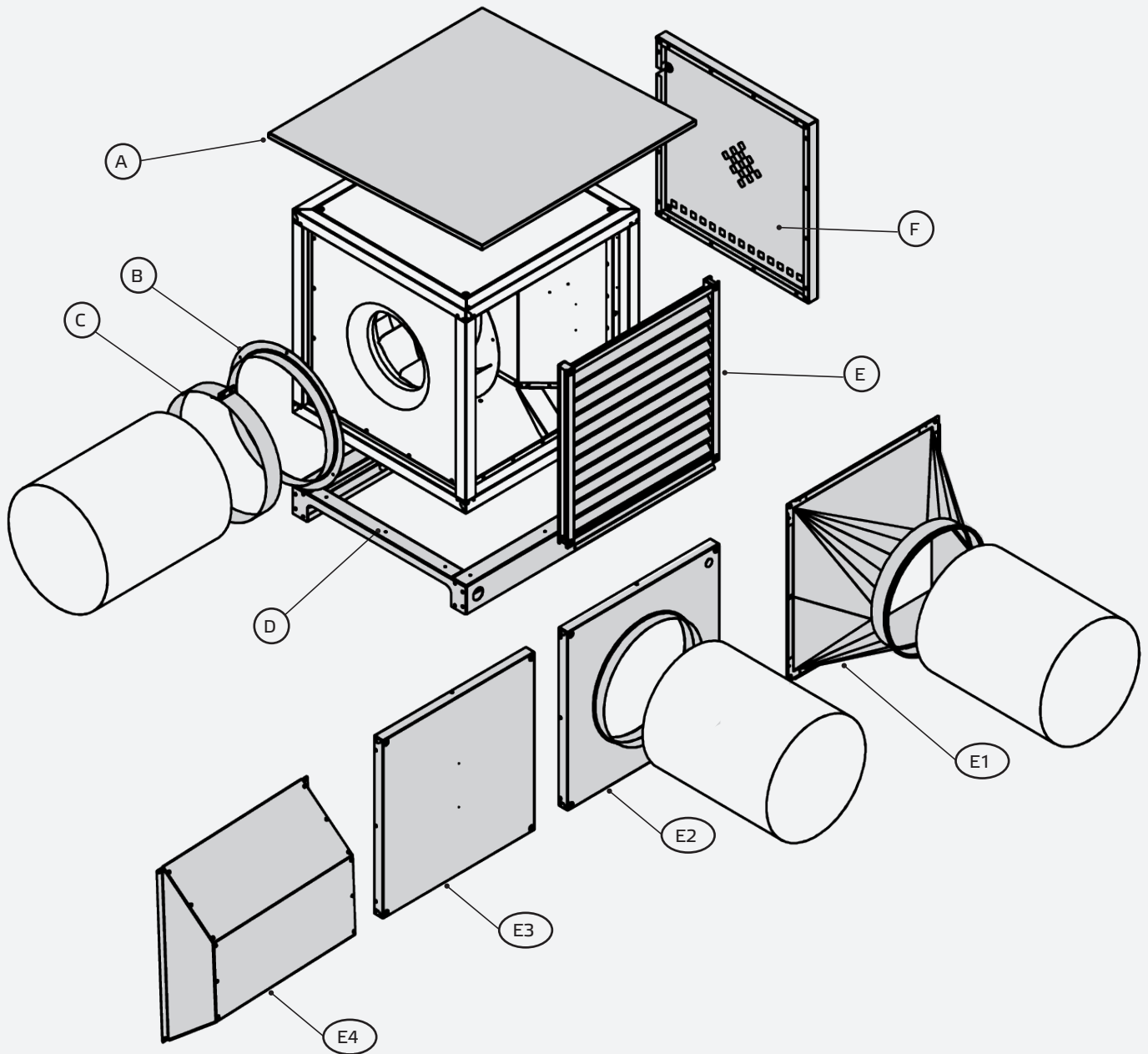


## MOUNTING INSTRUCTIONS

### MPC...T with specific accessories



- |   |                                      |   |                                    |
|---|--------------------------------------|---|------------------------------------|
| Ⓐ | RD MPC<br>Rain cover                 | Ⓔ | UQR<br>Transition                  |
| Ⓑ | AS MPC<br>Inlet spigot               | Ⓕ | USM<br>Panel with spigot           |
| Ⓒ | VM<br>Fast clamps                    | Ⓖ | UCP<br>Closed panel                |
| Ⓓ | GR MPC<br>Base frame                 | Ⓗ | WSH MPC<br>Weather protection hood |
| Ⓔ | WSG MPC<br>Weather protection grille | Ⓙ | MB MPC<br>Motor protection shield  |
|   |                                      |   |                                    |
|   |                                      | Ⓔ | UQR<br>Transition                  |
|   |                                      | Ⓕ | USM<br>Panel with spigot           |
|   |                                      | Ⓖ | UCP<br>Closed panel                |
|   |                                      | Ⓗ | WSH MPC<br>Weather protection hood |
|   |                                      | Ⓙ | MB MPC<br>Motor protection shield  |