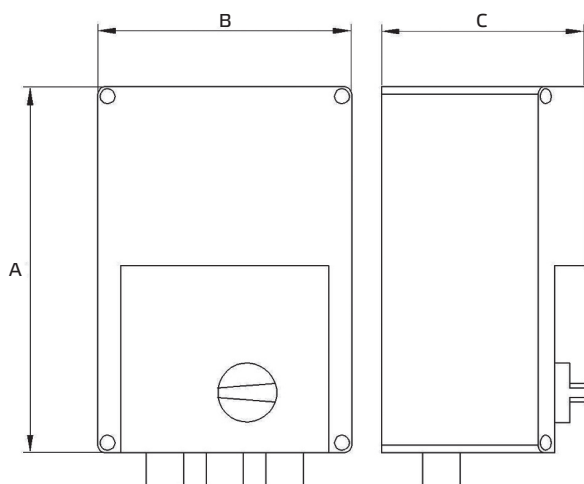


## Transformer TEE

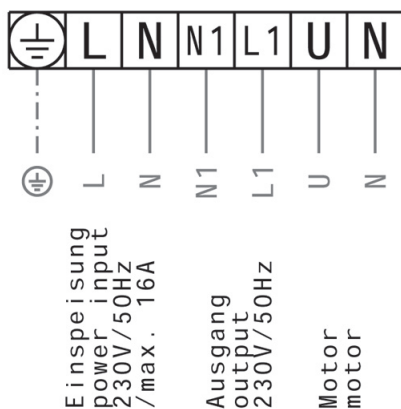


Type	ID	$I_{max.}$ A	Fuse A	A mm	B mm	C mm	Weight kg
TEE 015	115893	1,5	2,0	205	115	100	2,1

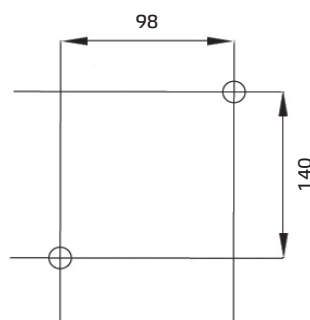
- Transformer TEE
- 230 V ~, 50/60 Hz
- Without motor protection
- Surface mounting
- Plastic housing
- Max. ambient temp 35 °C
- Protection Class IP 54

Type	Output voltage $U_A$ V				
	1	2	3	4	5
TEE 015	110	140	170	200	230

### Wiring diagram :



### Mounting :



**Legend**  
 $U_A$  = Output voltage  
 $I_{max.}$  = Max. operating current