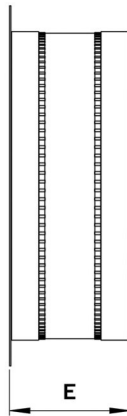
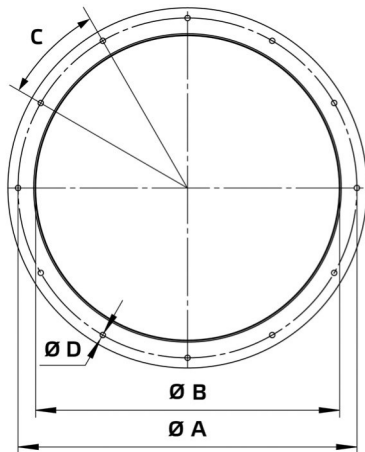


Datasheet

Product type: **Round inlet spigot**
Product ID: 154309
Product name: RAS 710 F4



A	mm	770
B	mm	710
C		12 x 30°
D	mm	16
E	mm	255 ... 325
Weight	kg	12.5

- Flexible connection
- Continuous temperature 75°C
- Sheet steel, galvanized
- Silicone band
- Temperature class according to DIN EN 12101-3 F400 (400°C/120min)

Use:

- AL 710 D6 F4 01
- AL 710 D4 F4 01