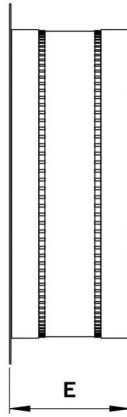
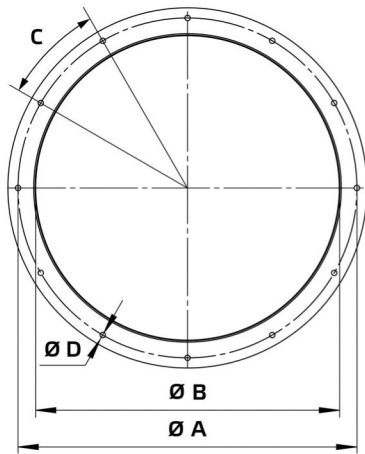


# Datasheet

Product type: **Round inlet spigot**  
 Product ID: 154306  
 Product name: RAS 560 F4



|        |    |             |
|--------|----|-------------|
| A      | mm | 620         |
| B      | mm | 560         |
| C      |    | 12 x 30°    |
| D      | mm | 12          |
| E      | mm | 153 ... 223 |
| Weight | kg | 6.6         |

- Flexible connection
- Continuous temperature 75°C
- Sheet steel, galvanized
- Silicone band
- Temperature class according to DIN EN 12101-3 F400 (400°C/120min)

## Use:

- AL 560 D4 F4 01
- AL 560 D4 F4 02