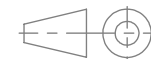
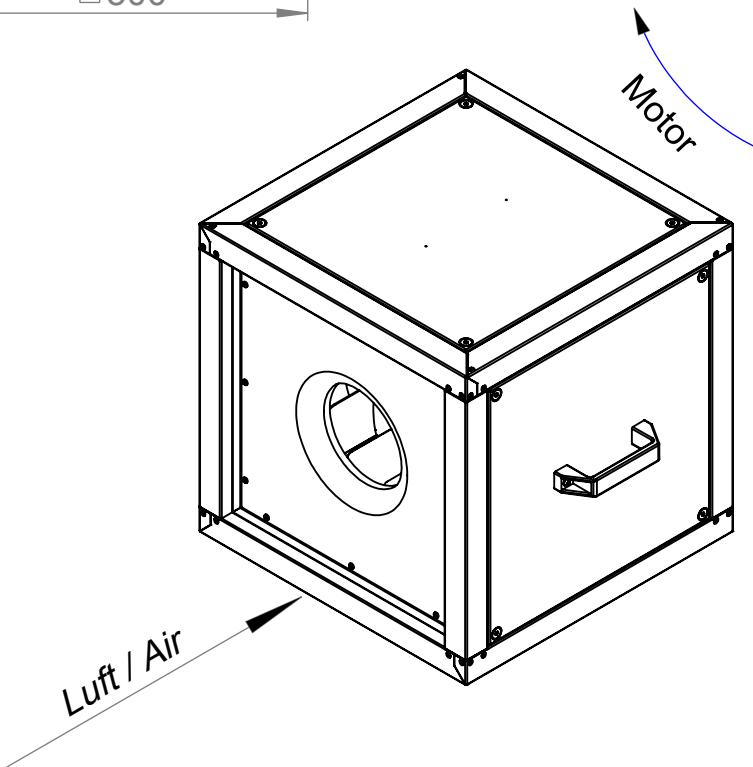


Anschlussmaß innen  
min.  $\varnothing$  220  
Connection size inside  
min.  $\varnothing$  220



1:10 A4 mm

Protection Mark  
according to ISO16016

General tolerances  
DIN ISO 2768-c

**MPC250ECT30**

Created s.pop  
Drawn s.pop  
Released v.brand  
Disabled

22.02.2018  
22.02.2018  
27.02.2020

**143078 00**